

Features	
Design	Pneumatically actuated pinch valve
Sealing principle	Elastic lip seal
Mounting position	Any
Type of mounting	In-line installation
Direction of flow	Reversible
Valve function	2/2 way, normally open
Reset method	Rebound resilience
Nominal pressure	PN10
Sleeve feature	Replaceable



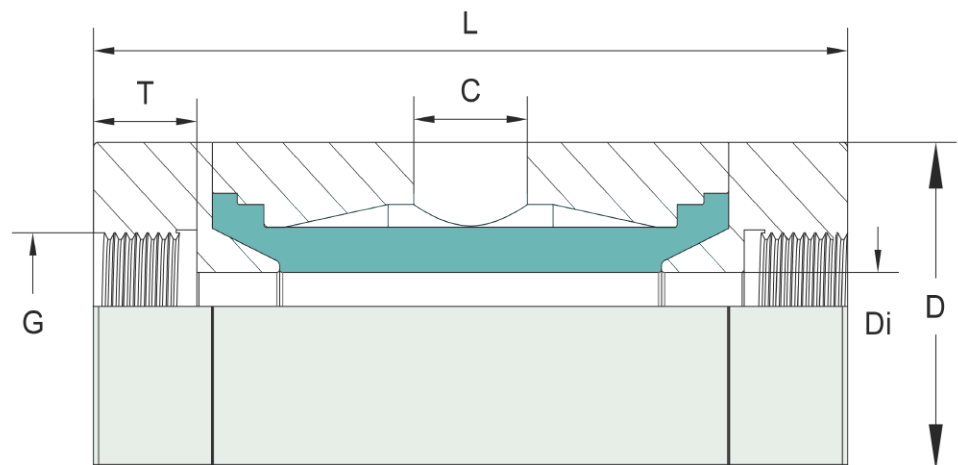
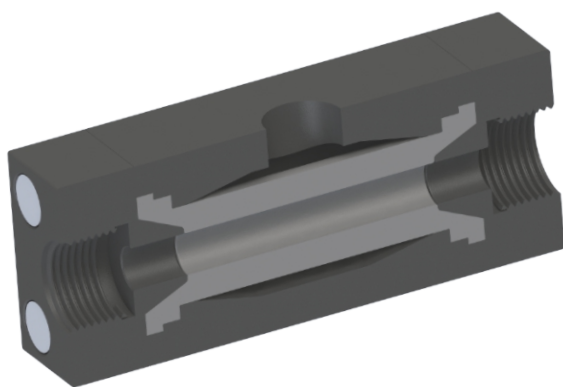
Technical data	
Housing	POM, aluminum alloy, stainless steel
Socket	POM, aluminum alloy, stainless steel
Seal or sleeve	Natural rubber, EPDM, NBR, HNBR, VITON.....
Bolts	Stainless steel 304
Working temperature [°C]	-20.....+120
Medium pressure [bar]	0.....6
Pressure difference [bar]	1.....3
Optimum control pressure	Medium pressure+Pressure difference

### Advantage

- \* Compact design
- \* Free passage
- \* No plugging
- \* 100% shut off
- \* Easy maintenance
- \* Anti-abrasive
- \* Food grade
- \* Anti-corrosive
- \* Quick open-close

### Application

- For Pneumatic convey system
- \* Powder industry: granual, epoxy painting, glass, plastic
  - \* Chemical industry: acid, fuel, liquid, fertilizer
  - \* Food industry: syrup, ice cream, milk, liquid food
  - \* Others: cable, dust, salt, water, slurry, waste, sludge



DN (mm)	Di (mm)	G (Inch)	L (mm)	D (mm)	T (mm)	C	Vol.l	Weight KG
6	6	1/4"	73	29	10	G 1/8"	0.01	0.05

\*Di=4mm or Di=8mm can be customized.