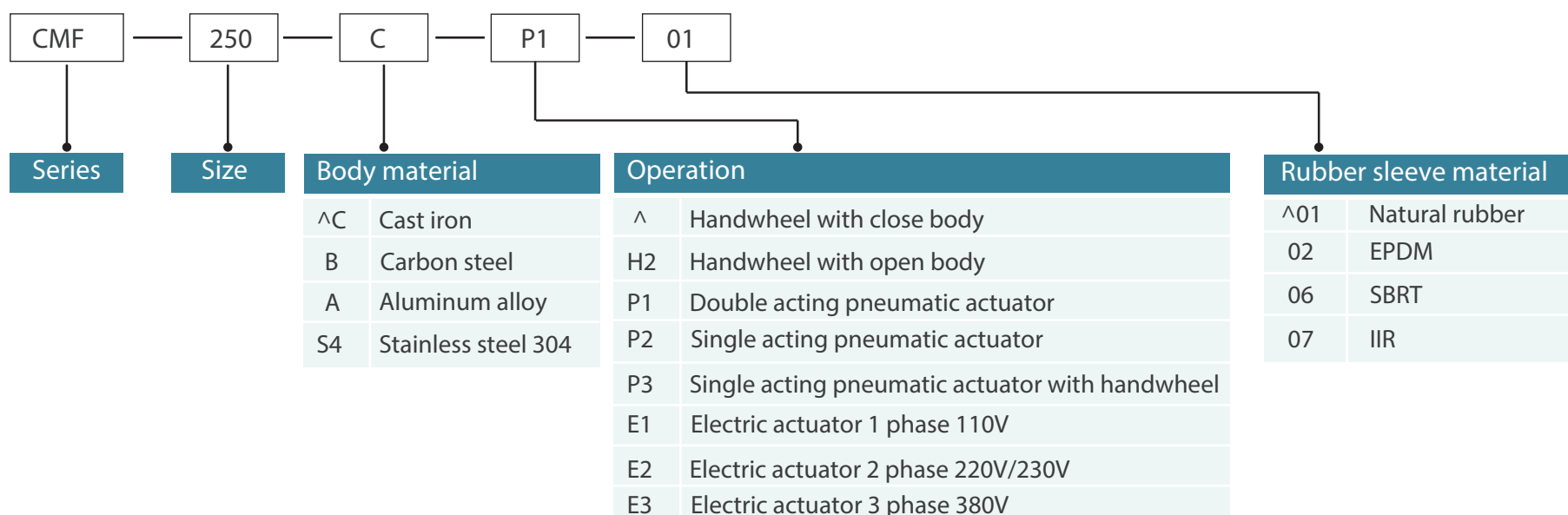


Codification:



^ Means : Default choice



Close body pinch valve



Open body pinch valve



Pneumatic operated pinch valve



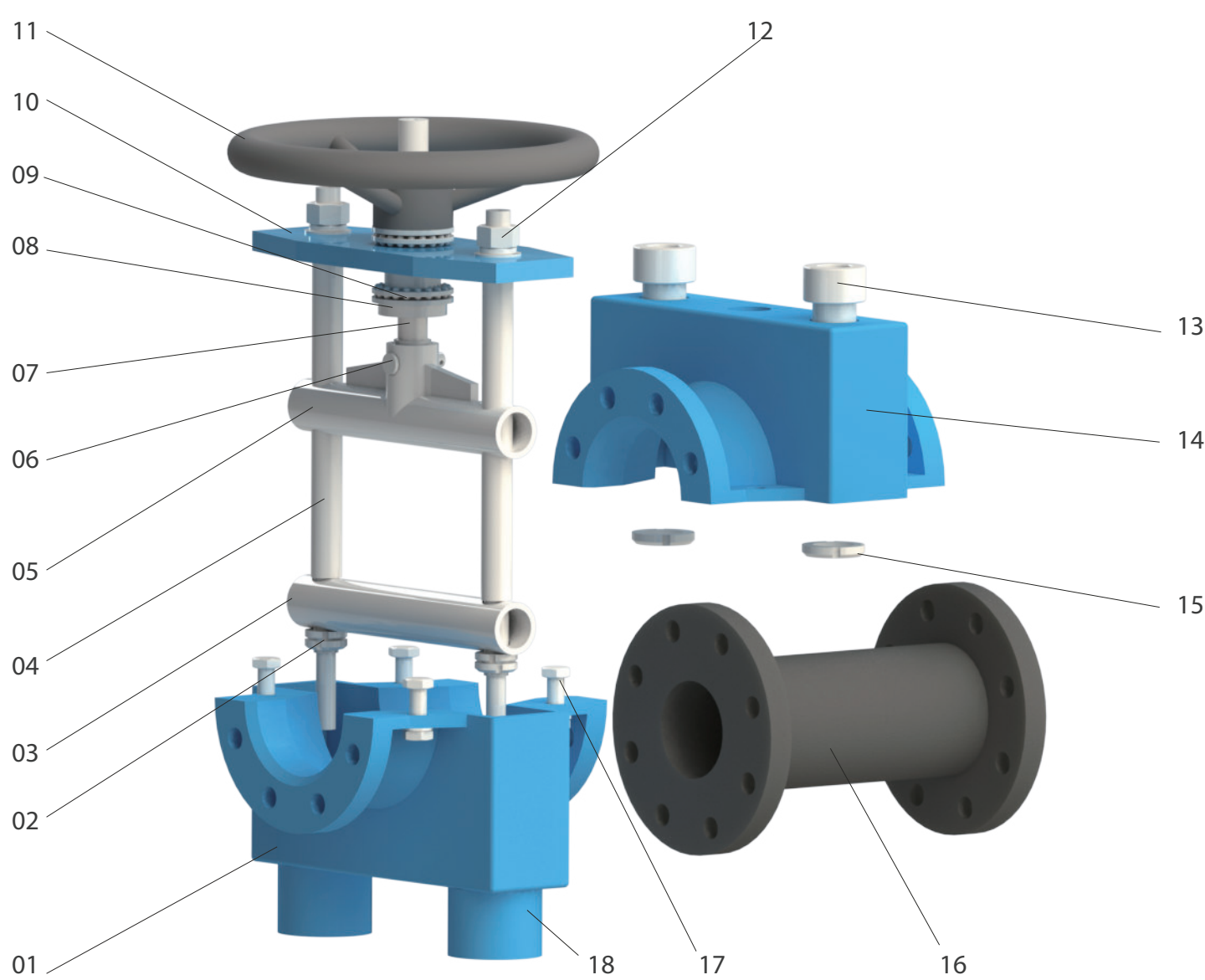
Electric operated pinch valve

Features	
Design	Switch with pinch bar
Mounting position	Any
Type of mounting	In-line installation
Direction of flow	Reversible
Sleeve feature	Replaceable

Technical data	
Size[mm]	DN25-DN1000
Working temperature [°C]	-20.....+150
Working pressure [bar]	0.....16
Flange standard	DIN PN10,PN16,ASME,BS TABLE E
Surface treatment	Epoxy resin painting

Advantage		
* Compact design	* Free passage	* No plugging
* 100% shut off	* Easy maintenance	* Anti-abrasive
* Anti-corrosive		

Application
For
* Powder industry: granual, epoxy painting, glass,plastic
* Chemical industry: acid,fuel,liquid,fertilizer
* Mining industry: tailing,metallurgy,coal,metals.
* Others: dust, salt, water,slurry,waste,sludge



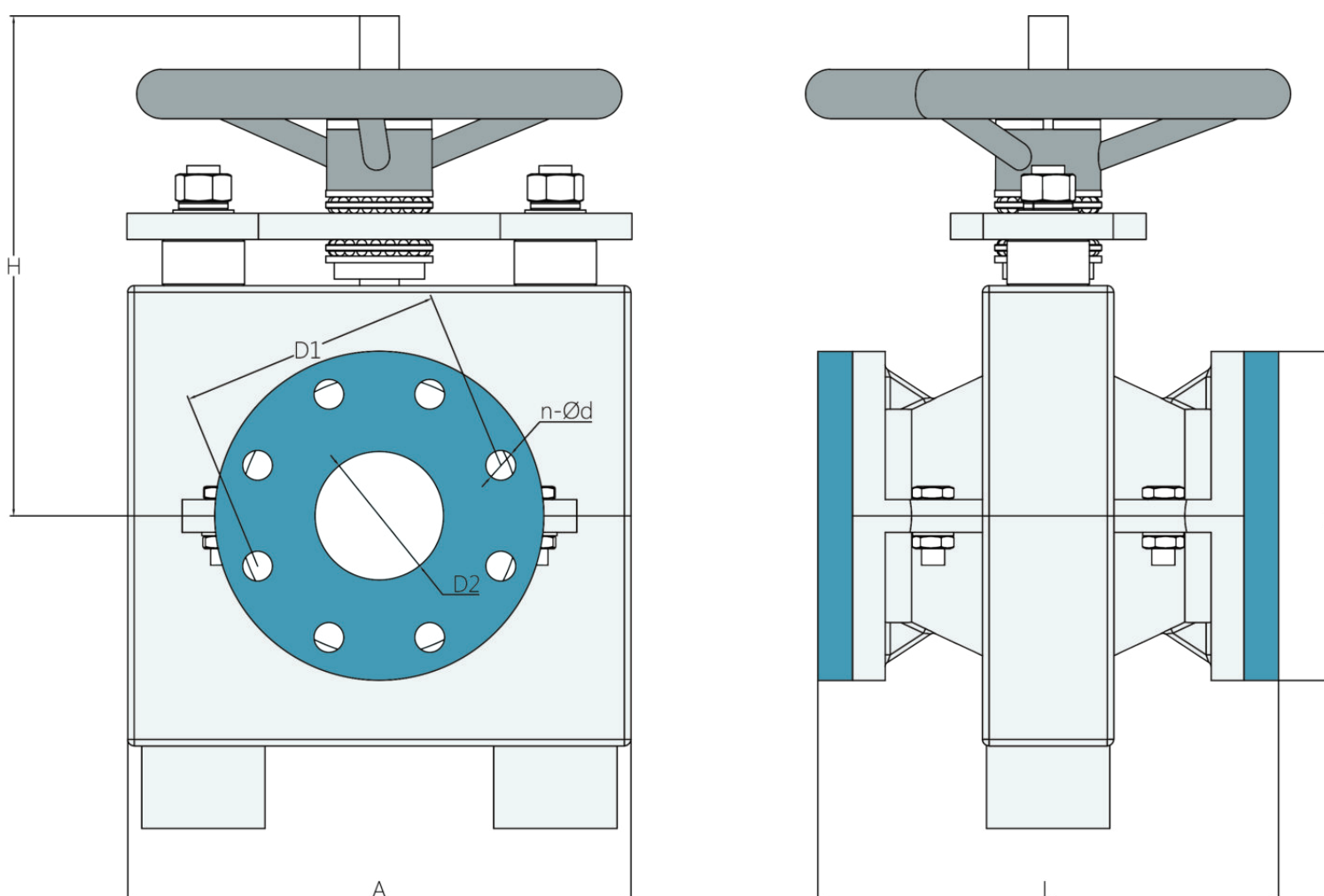
Parts Material:

Code	Parts	Material	Code	Parts	Material
01	Down body	*C,B,A,S4	10	Plate	*C,B,A,S4
02	Locking bolt	Carbon steel	11	Operation	^H,P1,P2,P3,E1,E2,E3
03	Down pinch bar	2Cr13	12	Bolt,nut,gasket	Carbon steel
04	Shaft	2Cr13	13	Shaft support	2Cr13
05	Upper pinch bar	2Cr13	14	Upper body	*C,B,A,S4
06	Locking pin	SS304	15	Locking bolt	Carbon steel
07	Stem	AISI 410	16	Rubber sleeve	**01,02,06,07
08	Support	2Cr13	17	Fix bolt,nut,gasket	Carbon steel
09	Bearing	SS304	18	Bottom support	*C,B,A,S4

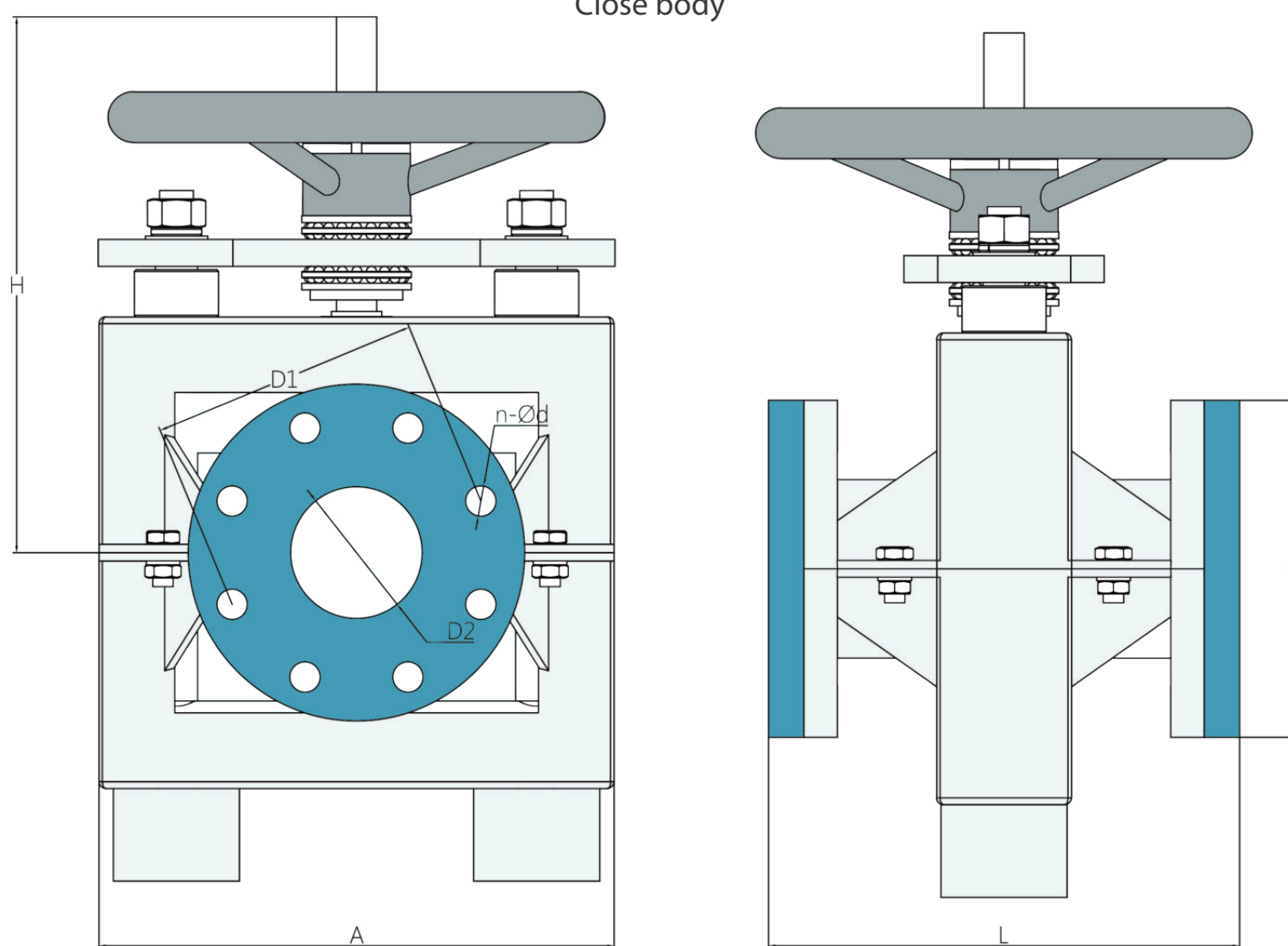
* Means : Body Material Codification

** Means : Rubber Sleeve Material Codification

Manual With Handwheel Dimensions:



Close body

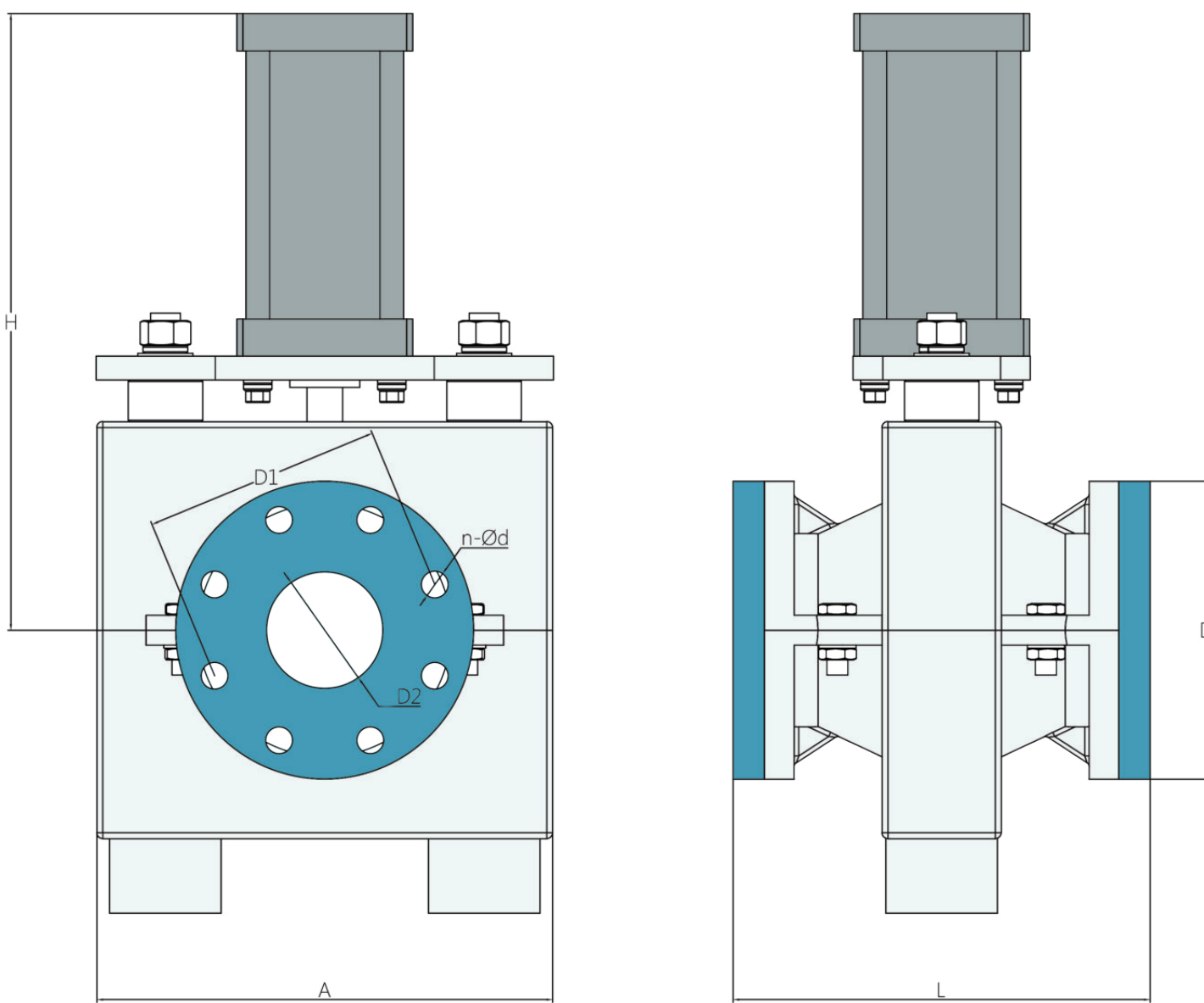


Open body

Size	DN (mm)	L (mm)	A (mm)	H (mm)	D (mm)	D1 (mm)	D2 (mm)	n-Ød (mm)
1"	25	150	220	240	115	85	25	4-Ø14
1 1/4"	32	180	220	259	140	100	30	4-Ø18
1 1/2"	40	195	220	259	150	110	35	4-Ø18
2"	50	195	220	259	165	125	45	4-Ø18
2 1/2"	65	230	260	288	185	145	60	8-Ø18
3"	80	280	308	320	200	160	76	8-Ø18
4"	100	360	350	353	220	180	95	8-Ø18
5"	125	445	390	400	250	210	120	8-Ø18
6"	150	500	435	449	285	240	148	8-Ø22
8"	200	560	510	513	340	295	195	8-Ø22
10"	250	630	610	621	395	350	245	12-Ø22
12"	300	730	700	695	445	400	295	12-Ø22
14"	350	890	790	790	505	460	345	16-Ø22
16"	400	1090	880	910	565	515	395	16-Ø26
18"	450	1120	946	1010	615	565	445	20-Ø26
20"	500	1240	1050	1070	670	620	495	20-Ø26

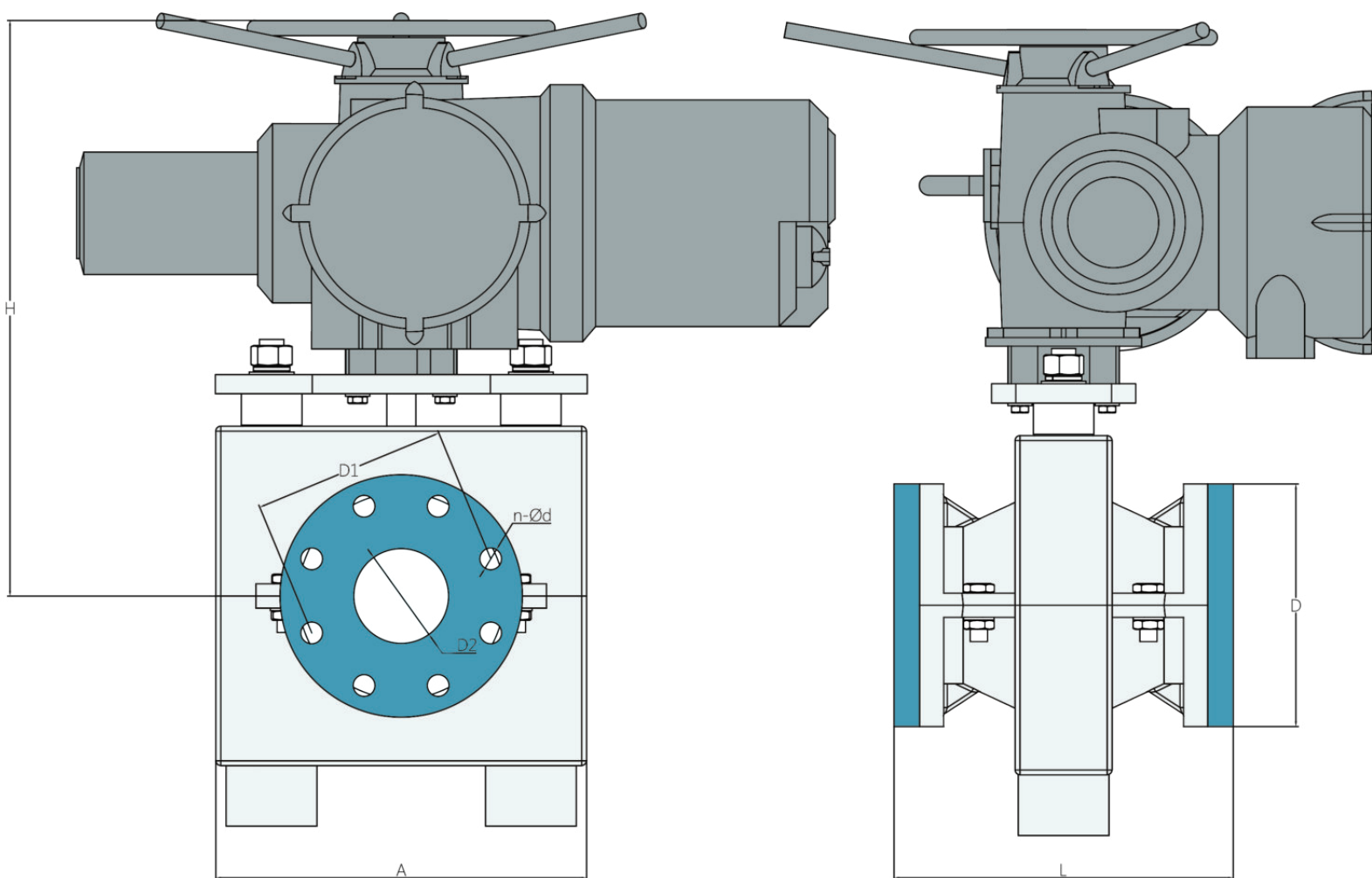
1. Flange dimension in the table is EN 1092-2 PN10 or DIN PN10.
2. Flange dimension can be ASME B16.5 Class150lb or AS Table E.
3. Face to face dimension can be customized.
4. Dimensions for closed body and open body is the same.
5. Size larger than DN500 , please contact with the manufacturer.

Double acting pneumatic actuator Dimensions:



Size	DN (mm)	L (mm)	A (mm)	H (mm)	D (mm)	D1 (mm)	D2 (mm)	n-Ød (mm)
1"	25	150	220	288	115	85	25	4-Ø14
1 1/4"	32	180	220	298	140	100	30	4-Ø18
1 1/2"	40	195	220	328	150	110	35	4-Ø18
2"	50	195	220	348	165	125	45	4-Ø18
2 1/2"	65	230	260	383	185	145	60	8-Ø18
3"	80	280	308	443	200	160	76	8-Ø18
4"	100	360	350	515	220	180	95	8-Ø18
5"	125	445	390	558	250	210	120	8-Ø18
6"	150	500	435	616	285	240	148	8-Ø22
8"	200	560	510	714	340	295	195	8-Ø22
10"	250	630	610	798	395	350	245	12-Ø22
12"	300	730	700	899	445	400	295	12-Ø22
14"	350	890	790	995	505	460	345	16-Ø22
16"	400	1090	880	1080	565	515	395	16-Ø26
18"	450	1120	946	1170	615	565	445	20-Ø26
20"	500	1240	1050	1261	670	620	495	20-Ø26

Electric actuator Dimensions:



Size	DN (mm)	L (mm)	A (mm)	H (mm)	D (mm)	D1 (mm)	D2 (mm)	n-Ød (mm)
1"	25	150	220	240	115	85	25	4-Ø14
1 1/4"	32	180	220	259	140	100	30	4-Ø18
1 1/2"	40	195	220	259	150	110	35	4-Ø18
2"	50	195	220	259	165	125	45	4-Ø18
2 1/2"	65	230	260	288	185	145	60	8-Ø18
3"	80	280	308	320	200	160	76	8-Ø18
4"	100	360	350	353	220	180	95	8-Ø18
5"	125	445	390	400	250	210	120	8-Ø18
6"	150	500	435	449	285	240	148	8-Ø22
8"	200	560	510	513	340	295	195	8-Ø22
10"	250	630	610	621	395	350	245	12-Ø22
12"	300	730	700	695	445	400	295	12-Ø22
14"	350	890	790	790	505	460	345	16-Ø22
16"	400	1090	880	910	565	515	395	16-Ø26
18"	450	1120	946	1010	615	565	445	20-Ø26
20"	500	1240	1050	1070	670	620	495	20-Ø26