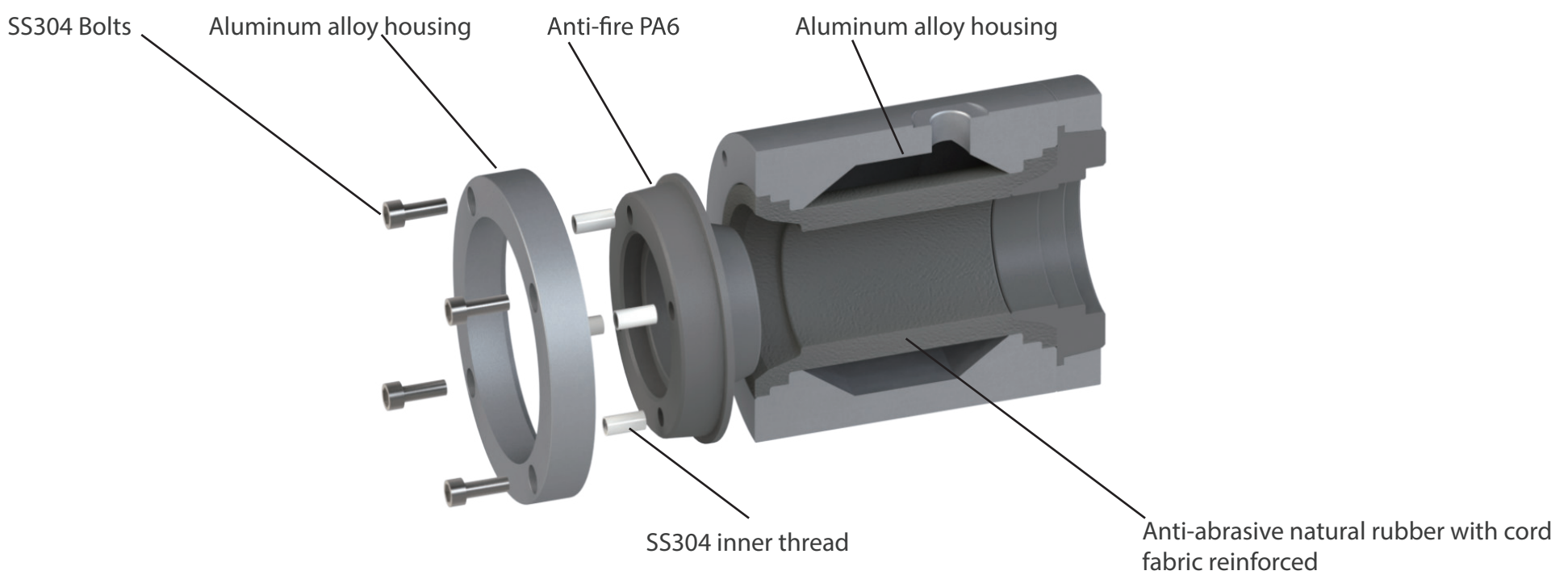
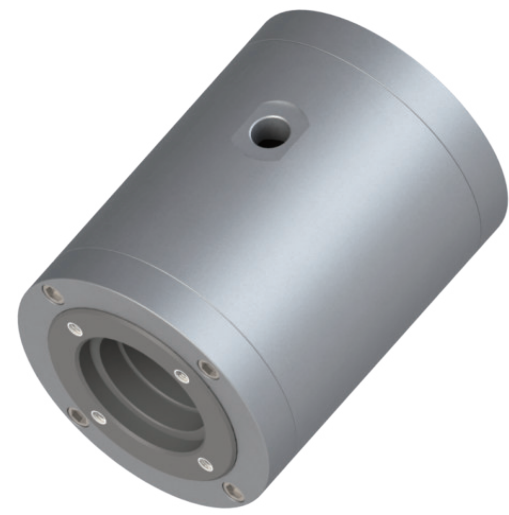


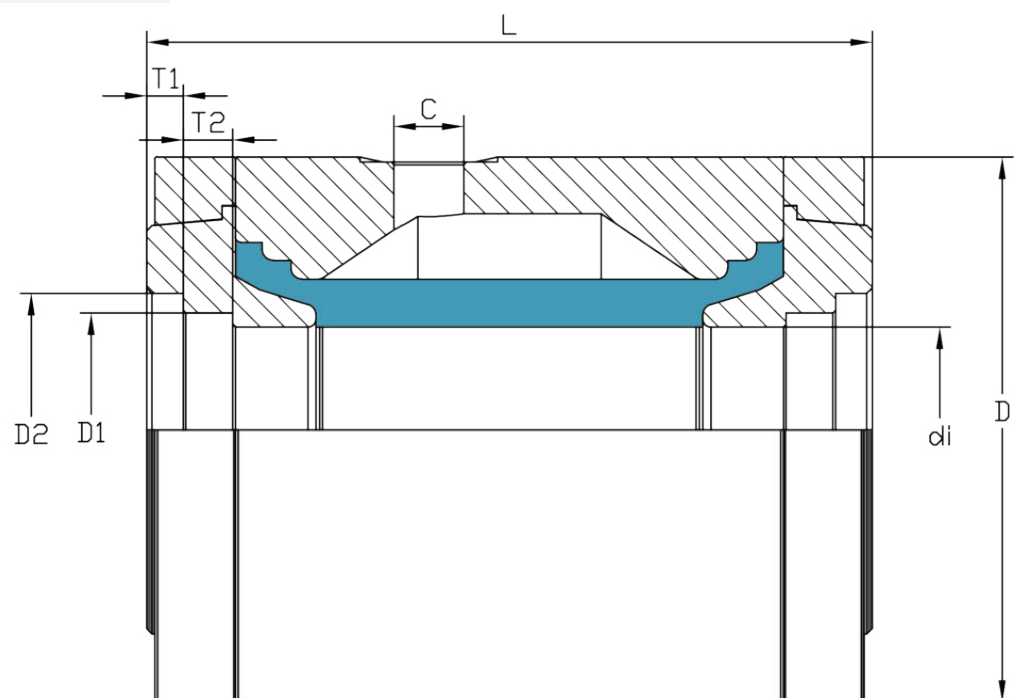
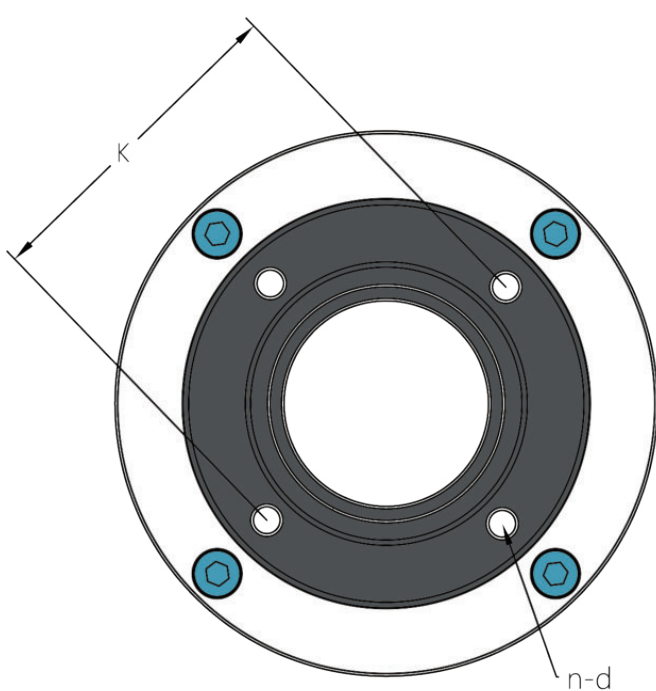
Features	
Design	Pneumatically actuated pinch valve
Sealing principle	Elastic lip seal
Mounting position	Any
Type of mounting	In-line installation
Direction of flow	Reversible
Valve function	2/2 way,normally open
Reset method	Rebound resilience
Nominal pressure	PN10
Sleeve feature	Replaceable



Technical data	
Pressure difference [bar]	2.5.....3
Medium pressure [bar]	0.....5.5
Max control pressure [bar]	8.5
Working temperature [°C]	-10.....+70
Optimum control pressure	Medium pressure+Pressure difference+0.5
Surface treatment	Sand blasting with original color anodizing
Certificate	EN45545 HL3

Advantage		
* Compact design	* Free passage	* No plugging
* 100% shut off	* Easy maintenance	* Quick open-close

Application
For vacuum toilet



DN (mm)	di (mm)	L (mm)	D (mm)	D1 (mm)	D2 (mm)	T1 (mm)	T2 (mm)	K (mm)	n-d	Vol.l	Weight(KG)
40	40	135	101	50.5	43.2	6.8	9.2	61.9	4-M5	0.23	1.7