

BMPSL Series

Features	
Design	Pneumatically actuated pinch valve
Sealing principle	Elastic lip seal
Mounting position	Any
Type of mounting	In-line installation
Direction of flow	Reversible
Valve function	2/2 way, normally open
Reset method	Rebound resilience
Nominal pressure	PN10
Sleeve feature	Replaceable



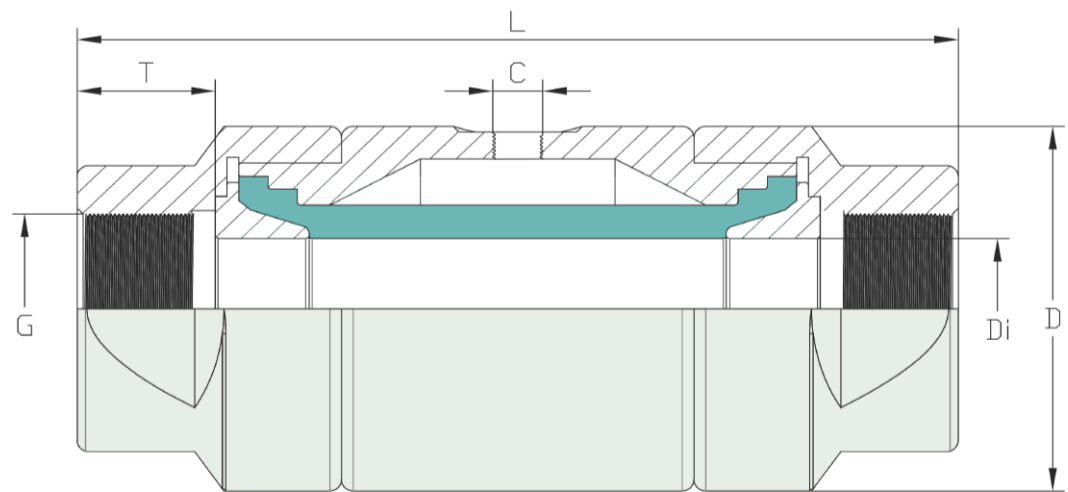
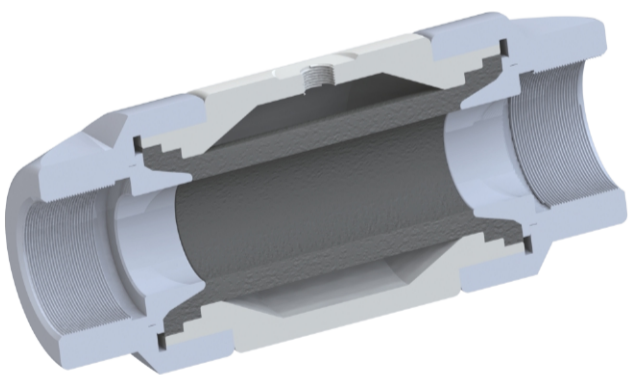
Technical data	
Housing	Aluminum alloy
Socket	White POM
Seal or sleeve	Natural rubber, EPDM, NBR, HNBR, VITON.....
Working temperature [°C]	-20.....+120
Medium pressure [bar]	0.....6
Pressure difference [bar]	1.....3
Optimum control pressure	Medium pressure+Pressure difference

Advantage

- * Compact design
- * Free passage
- * No plugging
- * 100% shut off
- * Anti-corrosive
- * Anti-abrasive
- * Quick open-close

Application

- * Pneumatic convey industry
- * Powder industry: granual, epoxy painting, glass, plastic
- * Chemical industry: acid, fuel, liquid, fertilizer
- * Others: cable, dust, salt, water, slurry, waste, sludge



DN (mm)	Di (mm)	G (Inch)	L (mm)	D (mm)	T (mm)	C	Vol.l	Weight KG
15	15	1/2"	120	52	14	G 1/8"	0.04	0.35
20	22	3/4"	140	59	16	G 1/8"	0.05	0.50
25	25	1"	150	65	20	G 1/8"	0.07	0.60